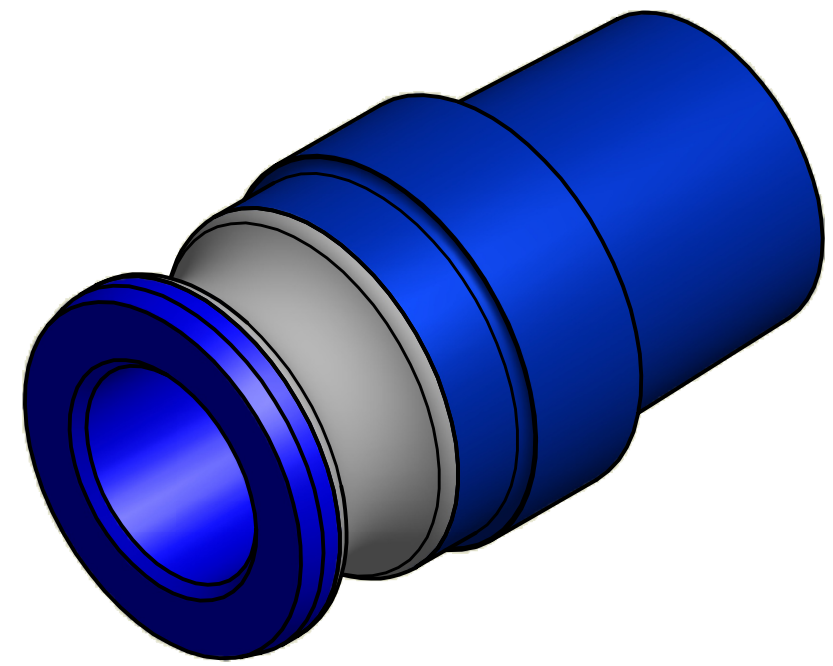
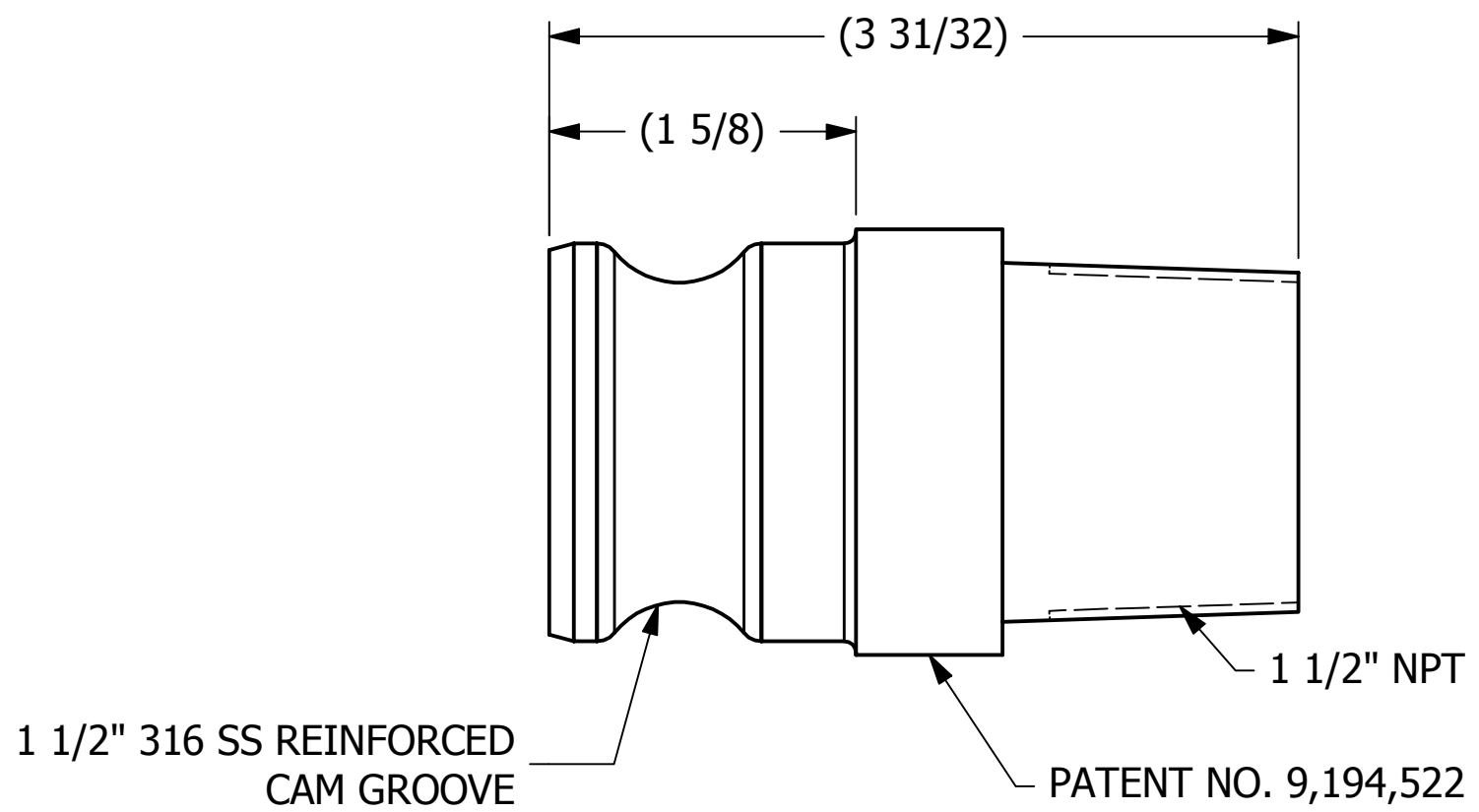
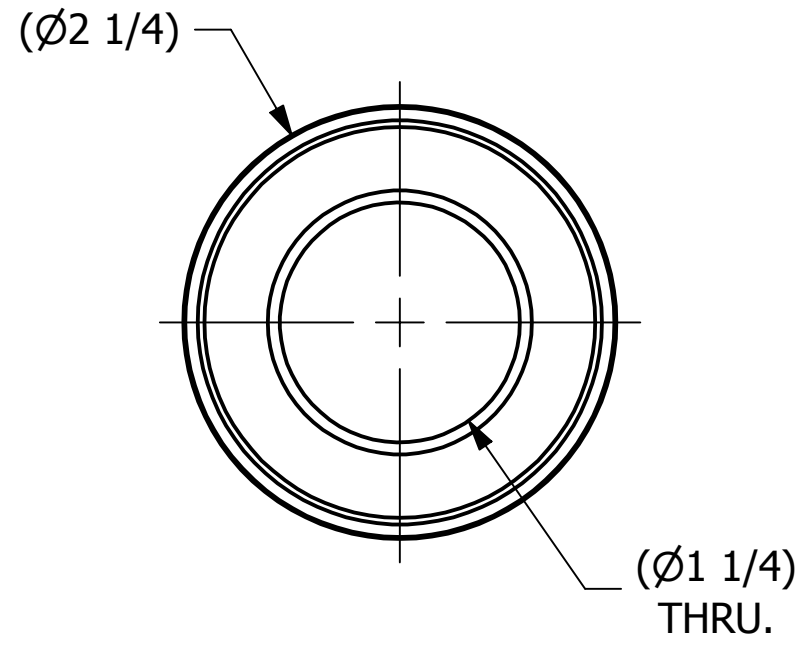


SALES DRAWING

SALES DRAWING



ISOMETRIC VIEW

NOTE:
PROFILE TO MEET A-A-59326D.

REV	BY	DATE	DESCRIPTION
C	TAK	1-29-16	UPDATED PATENT NUMBER & CAM PROFILE DIMS
B	WEB	5-22-14	ADDED NOTE #1, ADDED Ø2.035 DIMENSION
A	WEB	2-14-13	RELEASED FOR PRODUCTION

<small>UNLESS OTHERWISE SPECIFIED DIMENSIONAL TOLERANCES</small> FRACTIONAL: ±1/16 X.XX: ±.03 X.XXX: ±.015 ANGULAR: ±1° <small>DEBURR ALL SHARP EDGES. ALL MACHINED SURFACES TO HAVE A 125 RMS FINISH UNLESS NOTED OTHERWISE.</small>	DRAWN BY:	WEB
	CHECKED BY:	CHL
	PROTOTYPE BY:	WEB
	PROTOTYPE DATE:	2/13/2013
	APPROVED FOR PRODUCTION BY:	WEB
THIRD ANGLE PROJECTION	PRODUCTION DATE:	2/13/2013

SALCO PRODUCTS, INC.		
PART NAME: ADAPTER 1 1/2"		
MATERIAL: SALCO PE/SS		
PROJECT #: 121102FR	SHEET #: 1 OF 1	SCALE: 1:1
DRAWING #: B35370	PART #: HSRK15PF	

THIS PRINT, PROPERTY OF SALCO PRODUCTS INC., CONTAINS PROPRIETARY INFORMATION AND MUST NOT BE COPIED, REPRODUCED, OR USED DETRIMENTALLY TO OUR INTEREST.